

# Masport®

## INBUILT WOOD FIRE

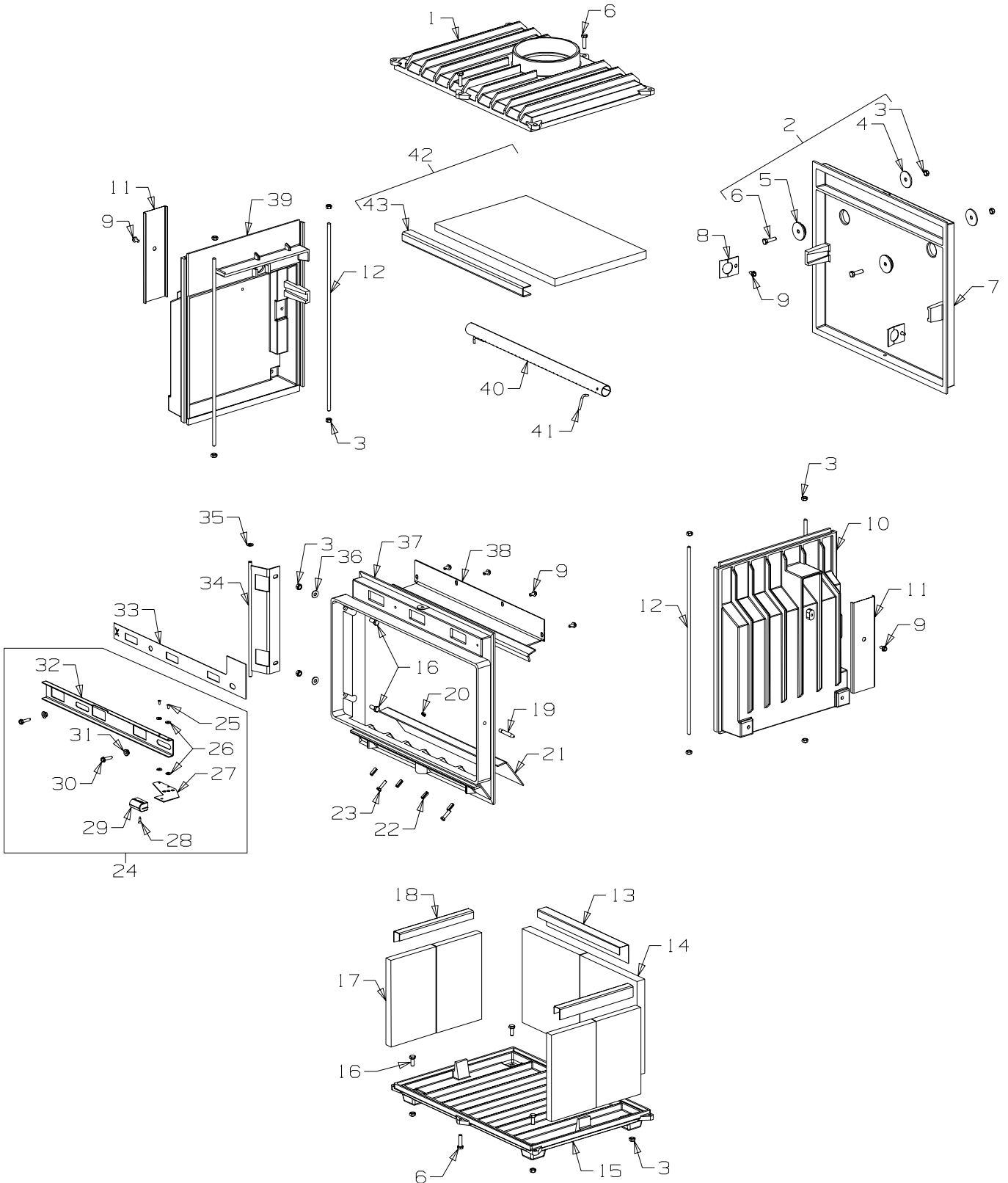
### GRANDE PROVINCIAL (NZ & AUST)

Grande Provincial (complete with Fascia)	MAW2050	Page 2
Fan (standard with 995971)	995650	Page 5
Zero Clearance Kit	995964	Page 6
Zero Clearance Fascia	995974	Page 7
Zero Clearance Flue Kit	551458	Page 8
Zero Clearance Extension Kit	551459	Page 8
Standard Flue	551460	Page 9

**From Serial Number 3031290**

**Month and Year of First Manufacture: November 2002**

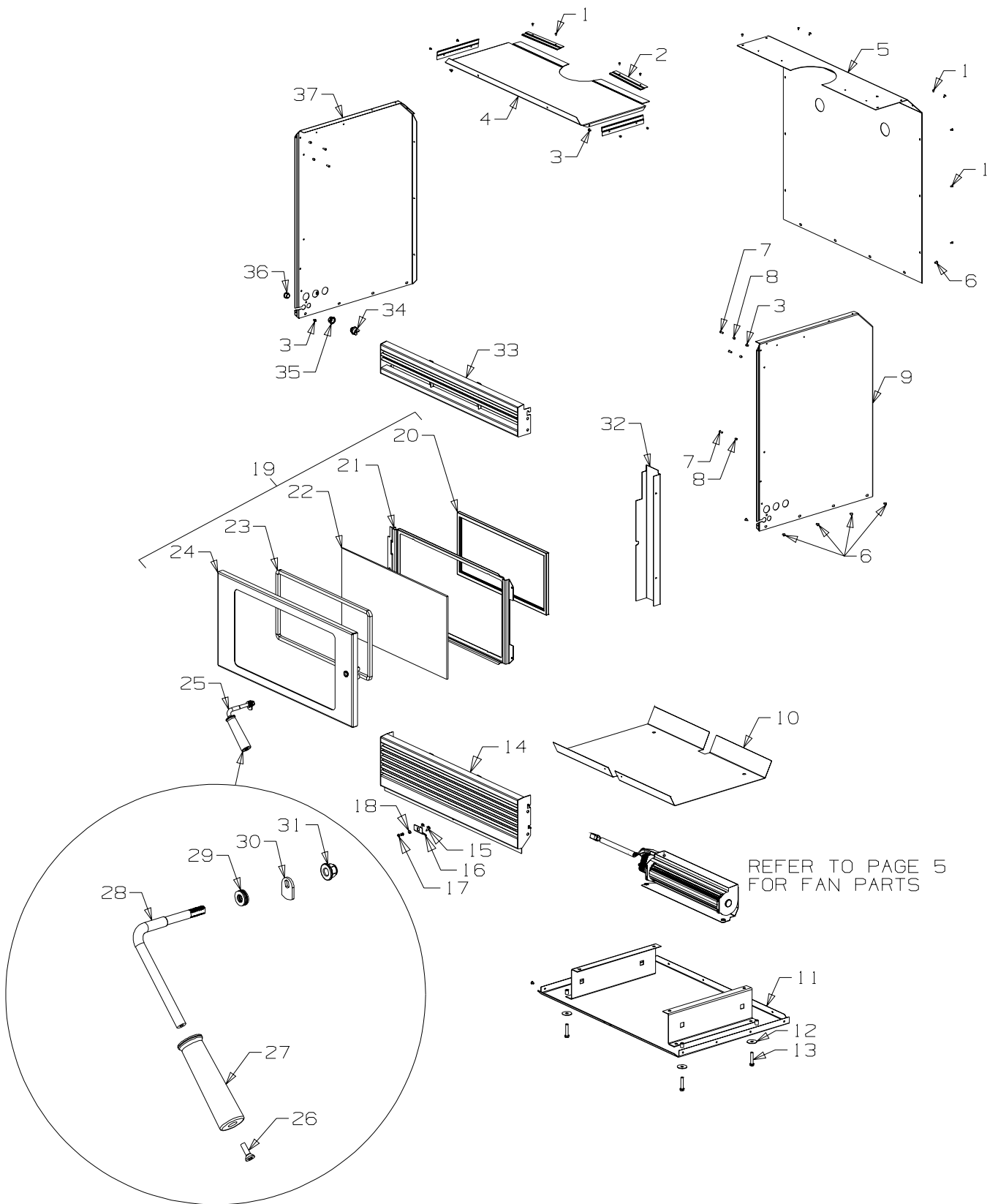






Item No	Part No	Description	Qty	Item No	Part No	Description	Qty
1	987302	Firebox-Top	1	24	795549	<b>Air Slide Assembly</b>	1
2	984090	<b>Plug Assy-34mm Dia (incl. item 2 (2))</b>	2	25	586167	• Rivet-Pop 4.0 Dia x 4.8	2
3	501602	• Nut, M8 (2)	16	26	500848	• Washer; Flat 3/16" x .5	4
4	502093	• Washer, Flat 8 x 42 x 3	2	27		NOT AVAILABLE	
5		NOT AVAILABLE		28	503004	• Screw; CSK No. 8 x 5/8"	1
6	501685	• Screw, Set M8 x 30 (2)	6	29	986162	• Knob-Air Control	1
7	987303	Firebox-Back	1	30	503336	• Screw, T/F M6 x 25	2
8	995541	Bracket-Retaining, Board	2	31	995091	• Spacer-Air Slide	2
9	503003	Screw; S/T 1/4" x .5	8	32	995549	• Slide-Air, Inlet 25 x 50	1
10	795522	Firebox-Side RH	1	33	995681	Plate, Back-Meter "X"	1
11	786146	Cover-Secondary Air	2		995628	Plate, Back-Meter - Turn Down	1
12	587108	Rod-Tie, M8	4	34	995651	Hinge Assy	1
13	987146	Channel-Brick Retainer	1	35	006025	Washer; Flat 5/16"	1
14	787112	Brick-Fire, Back 223 x 250 x 25	2	36	501606	Washer, Flat 8 x 19 x 1.6	14
15	987304	Firebox-Bottom	1	37	795558	Firebox-Front	1
16	501597	Screw, Set M8 x 20	6	38	995659	Deflector-Primary Air	1
17	795546	<b>Bricks-Firebox, Side 143 x 230 x 20 (2 per pack)</b>	2	39	795517	Firebox-Side LH	1
18	995552	•Channel-Brick Retainer	2	40	995288	Tube-Secondary Air, 33 x 3.5	1
19	995657	Pin-Door Catch	1	41	586439	Pin-Retaining, Secondary Air Tube	1
20	501682	Nut, M6	2	42	787109	<b>Board Assy-Firebox, Top</b>	1
21	986720	Plate-Base Inner	1	43	993048	•Channel-Baffle Reinforcer	1
22	503008	Pin, Tension 8 x 20	4		987373	<b>Board Assy-Firebox, Top (Pack of 5)</b>	1
23	501963	Screw, Set M6 x 25	2		993048	•Channel-Baffle Reinforcer	5

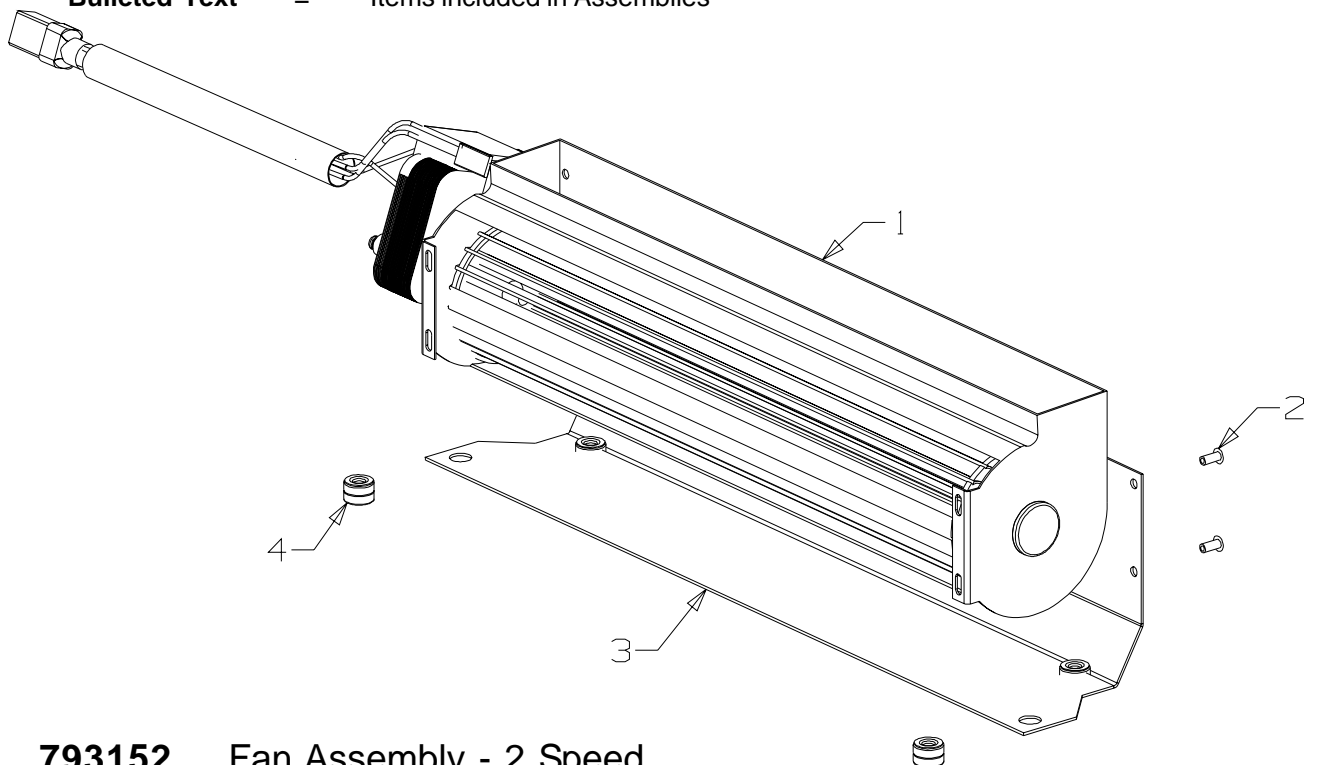
**Bold Text** = Assemblies  
**Bulleted Text** = Items included in Assemblies





Item	Part No	Description	Qty	Item	Part No	Description	Qty
1	501767	Rivet-Pop 3.2 Dia x 3.2	22	19	795685	<b>Door Assy - Black</b>	1
2	986514	Case-Outer, Guide Rail	4	20	700861	• Tape-Flat 6 x 38 x 2m	1
3	586737	Screw, S/T 8 x 10	10	21	994516	• Retainer-Glass	1
4	995642	Case-Outer Top	1	22	793031	• Glass 548 x 293 x 5	1
5	995645	Case-Outer, Rear	1	23	700755	• Rope-Round - Glass Fibre (16 x 2 metres)	1
6	503272	Rivet-Pop 4.8 Dia x 4.8	12	24	795648	• Door Assy - Black	1
7	501303	Rivet-Pop 4.0 Dia x 7.9	6	25	795641	<b>• Handle Assy-Door</b>	1
8	986148	Spacer-Grille	9	26	595670	• Screw, Csk M6 x 20	1
9	995646	Case-Outer, Side RH	1	27	595655	• Handle-Door, Wood	1
10	995643	Heatshield-Bottom	1	28	595641	• Handle Assy	1
11	995678	Base Assembly	1	29	501704	• Washer, Flat 10 x 19 x 1.6	4
12	501021	Washer; Flat 5/16" x 1.25	4	31	503672	Nut, M10 Flange	1
13	501843	Screw, Set M8 x 40	4	30	984571	Latch-Door Catch	1
14	795686	Grille Assy-Lower - Black	1	32	995669	Heatshield, Knob	1
15	503704	Screw; S/T 8 x .5	2	33	795684	Grille Assy-Upper - Black	1
16	990281	Plate-Latch	1	34	502068	Clamp-Cable, Little Gripper	1
17	503817	Stud-Dzus	1	35	577089	Nut; Cable Gripper	1
18	503818	Grommet-Dzus	1	36	586734	Bush-Plastic	1
				37	995647	Case-Outer, Side LH	1

**Bold Text** = Assemblies  
**Bulleted Text** = Items included in Assemblies

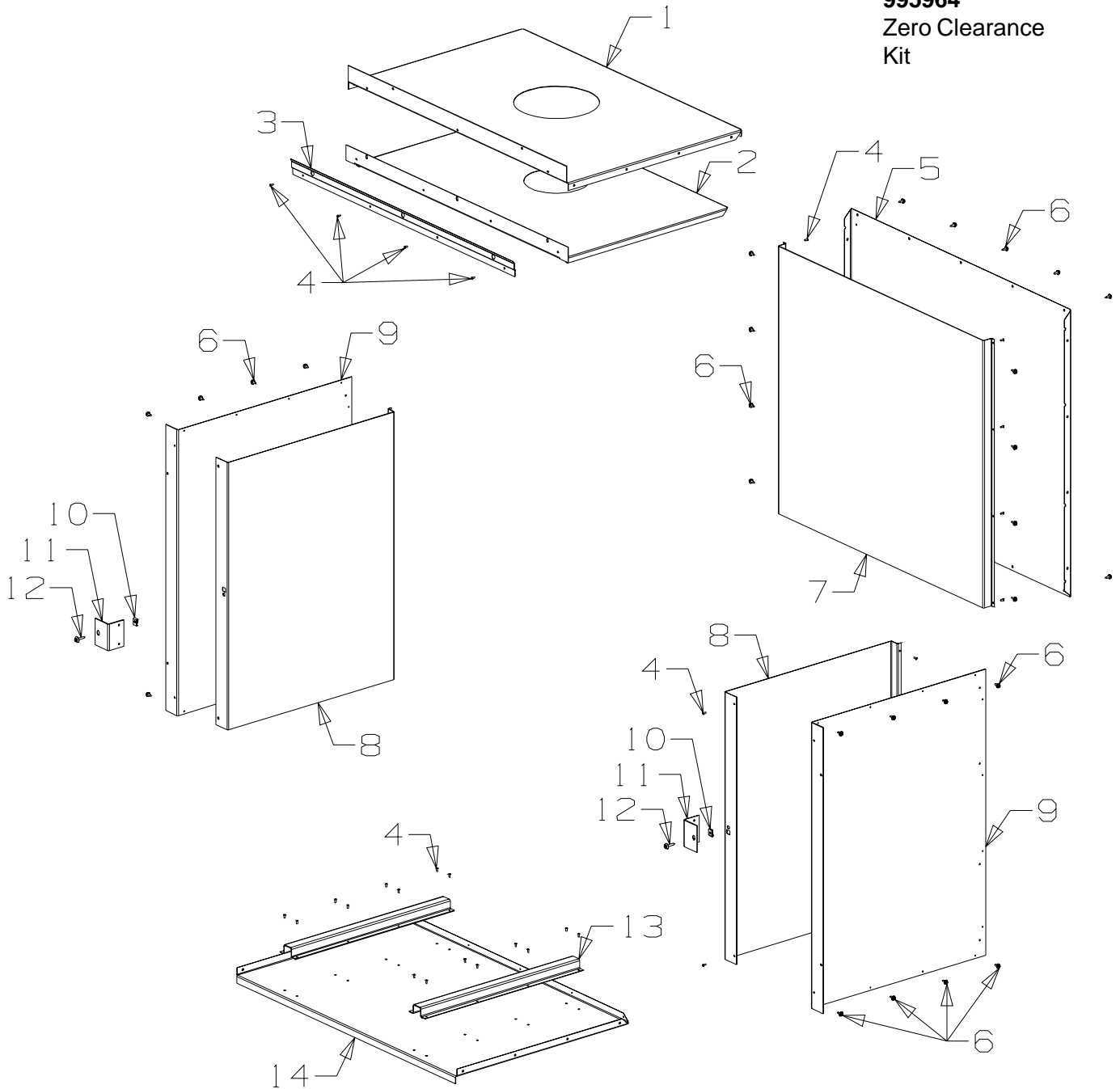


## 793152 Fan Assembly - 2 Speed

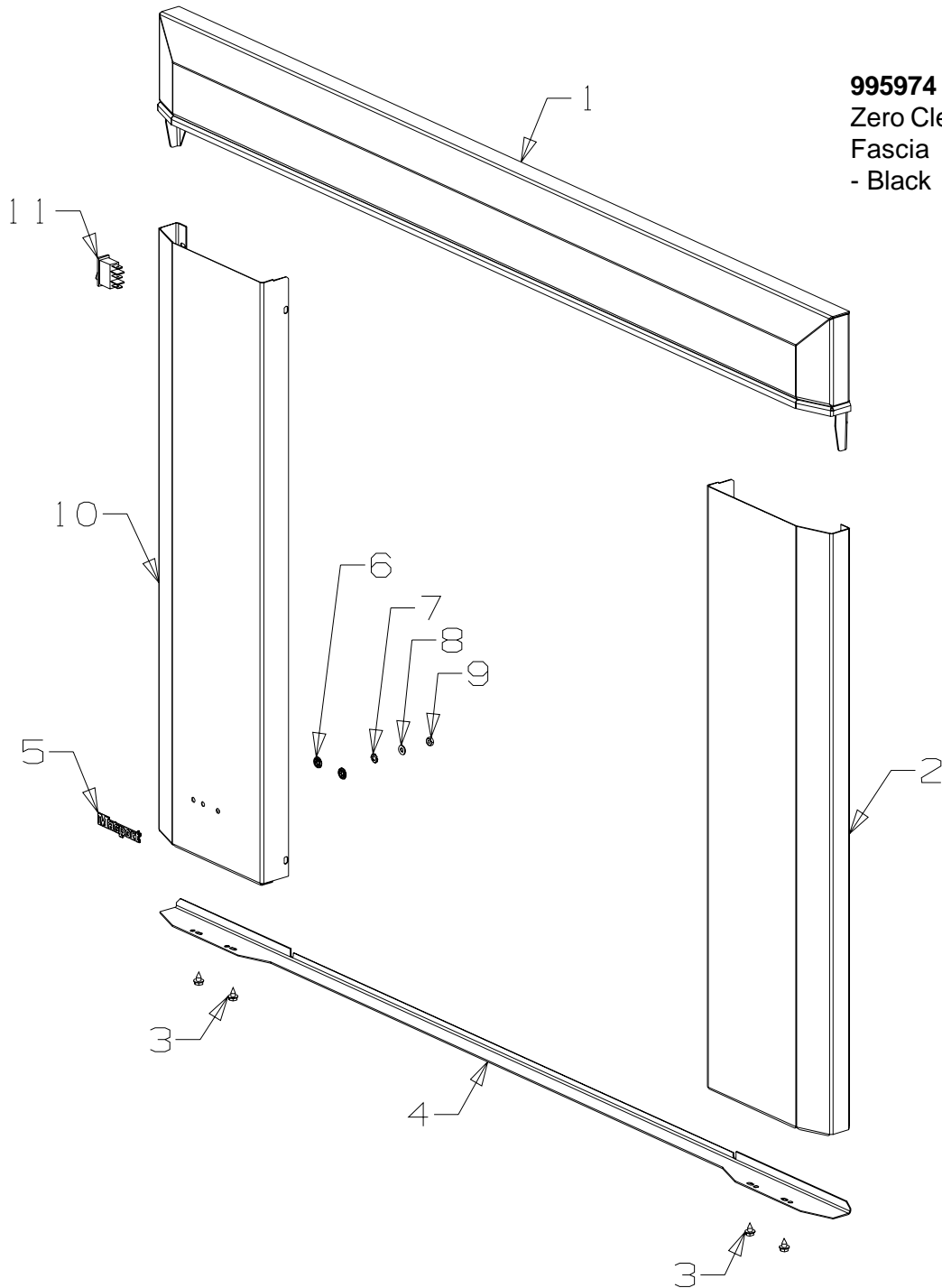
Item	Part No	Description	Qty	Item	Part No	Description	Qty
1	595652	Fan - 2 Speed	1	<b>NOT ILLUSTRATED</b>			
2	503272	Rivet-Pop 4.8 x 4.8	4	588068	Loom-Fan, 3 Pin 75V	1	
3	995649	Plate-Mouting, Fan	1	590226	Loom-Switch, Fan	1	
4	503671	Grommet-Fan 14 OD x 6 ID	4	590291	Lead-Earth	1	



### 995964 Zero Clearance Kit



Item	Part No	Description	Qty	Item	Part No	Description	Qty
1	995164	Panel-Top	1	8	995154	Shield-Side Panel	2
2	995167	Shield Assy-Top	1	9	995156	Panel Assy-Side	2
3	995166	Channel-Retainer	1	10	503388	Nut-Spire	2
4	503429	Rivet-Pop 3.2 Dia x 4.8	36	11	995196	Bracket-Restraint	2
5	995159	Panel Assy-Rear	1	12	503459	Screw, S/T 12 x 25	6
6	503704	Screw; S/T 8 x .5	34	13	995161	Rail-Support	4
7	995157	Shield-Rear Panel	1	14	995162	Base Assy	1



**995974**  
Zero Clearance  
Fascia  
- Black

Item	Part No	Description	Qty	Item	Part No	Description	Qty
1	795665	Fascia-Top - Black	1	8	503593	Washer, Flat 4 x 9 x 1	1
2	795667	Fascia-Side RH - Black	1	9	503622	Nut, M4	1
3	503259	Screw, S/T 10 x .4	4	10	795668	Fascia-Side LH - Black	1
4	995663	Stiffener-Fascia	1	11	503674	Switch-Fan ON/OFF/ON	1
5	584581	Badge - Gold	1			<b>NOTILLUSTRATED</b>	
6	503381	Clip-Starlock 4 Dia	2				
7	503371	Washer-Disc, Fan 5 ID x 10 OD	1		590291	Lead-Earth	1

**Bold Text** = Assemblies  
**Bulleted Text** = Items included in Assemblies

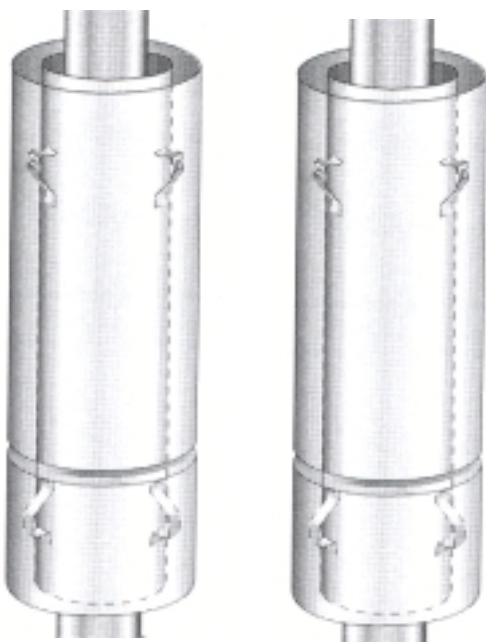
When ordering PLEASE QUOTE PART NUMBER & Description, NOT Illustration No.  
Determine right or left hand side from standing in viewing position



150mm Zero Clearance Ceiling Kit  
**551458**

Kit Contains:

- 1 x 150mm Combo Cowl 200mm/250mm
- 1x Outer Heat Sheild - Galvanised -1200mm x 200mm
- 1 x Outer Heat Sheild - Galvanised -600mm
- 1 x 150mm Stainless Steel Flue - 1200mm
- 1 x 150mm Stainless Steel Flue -600mm



150mm Zero Clearance Extension Kit  
**551459**

- 2 x Outer Heat Sheilds - 200mm/250mm - Galvanised - 1200mm
- 2 x 150mm Stainless Steel Flue x 1200mm





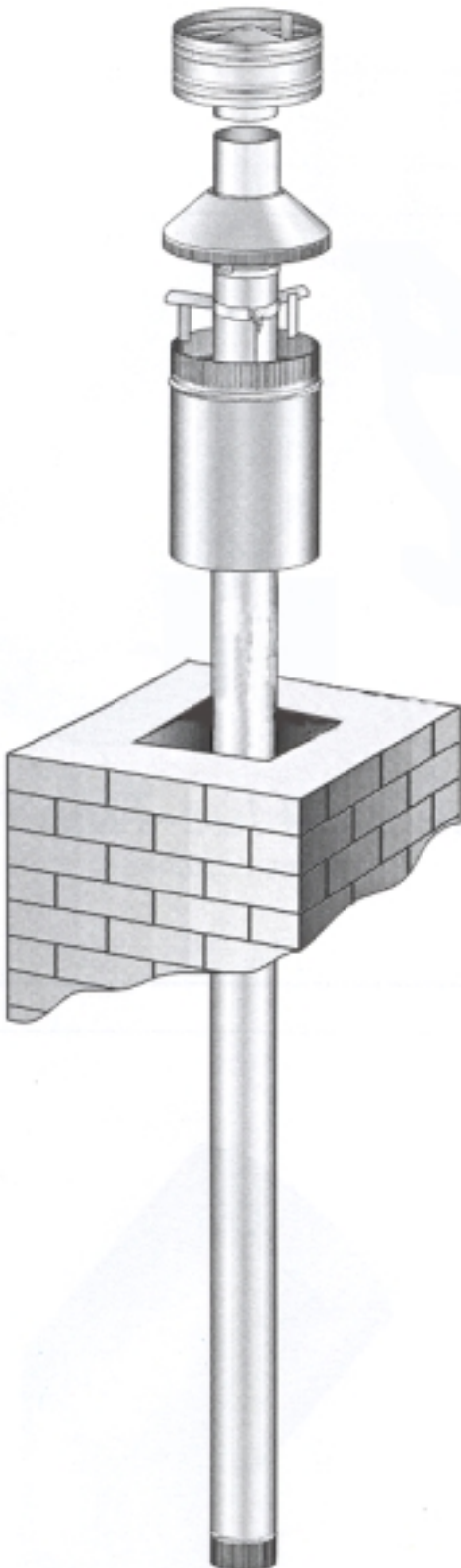
NZ ONLY

## 150mm Flue Kit

(to suit Provincial)

*Contains:*

- 3 x 1200mm lengths of Stainless Steel Flue
- 1 x 600mm length of Stainless Steel Flue
- 1 x 600mm length of Galvanised Outer Shield, 250mm Dia.
- 1 x Anti Down Draught Cowl
- 1 x Casing Cover
- 1 x top Flue Spacer Bracket



**Part No: 551460**



<b>Item No</b>	<b>Part No</b>	<b>Description</b>	<b>Qty</b>
<b>NOT ILLUSTRATED</b>			
	<b>585416</b>	Bag-Fire Bedding Sand (Firebox)	<b>1</b>
	<b>584048</b>	Tube-Maniseal (Firebox)	<b>1</b>
	<b>795687</b>	Door Assy - No Glass - Black	<b>1</b>
	<b>595151</b>	Owners Manual	<b>1</b>
<b>ACCESSORIES</b>			
	<b>556123</b>	Paint-Touch Up - Black	<b>1</b>